



OHAUS RU Series

Advanced Ticket and Label Printing Retail Scale



Multifunctional, customisable, versatile - the ultimate solution to your retail needs

The rugged RU is the ultimate solution to all of your retail requirements, offering both ticket and label printing capability coupled with multiple functions, including: prepacking with data printing to meet all EU regulations; ECR cash management to provide your customer with flexible payment options and to help you monitor your cash; and networking and floating vendor capability for simple and efficient customer service. What's more, with both upper and lower keyboard versions available in capacities from 6kg to 30kg, the RU can fit perfectly with your existing counter design.

Standard Features Include:

- **Multiple functions** – With standard ticket printing plus optional label printing, prepacking, cash management and training functions the RU is the ultimate all-rounder
- **Rugged construction** – Heavy-duty aluminium baseplate, stainless steel pan with rounded edges, high-grade polymer surfaces and sealed components provide superior protection and hygiene
- **Simple networking and communication** – The RU features a high-speed processor, Ethernet connection, RS232 and an RJ11 interface for connection of external devices such as a cash drawer
- **Large memory** – Storage of up to 4000 PLU
- **Outstanding printing performance** – Print speed of 110mm/sec thanks to two independent printer motors, plus customizable label and ticket design

OHAUS RU Series *Advanced Ticket*

Customisable to your working methods and environment

The RU offers a host of optional functions to match your requirements whether you have a butchers, a cheese shop or a delicatessen.



Meet Product Labelling Regulations

The RU is the perfect partner for prepacking tasks. Not only does it weigh accurately, with the prepacking option you can also set the scale to print essential information such as sell-by and use-by dates, ingredients and place of origin, ensuring you meet traceability requirements and EU regulations.

Manage Payments and Control Cash

By combining the RU and optional ECR cash management function with a cash drawer, you have an all-in-one weighing, labeling and flexible payment tool. Moreover the ECR functionality helps you to manage your cash, simply enter the float at the beginning of the day, enter the values whenever large notes are removed for security during the day and then when cashing up, the scale will calculate the balance and any deviation and print a full report.



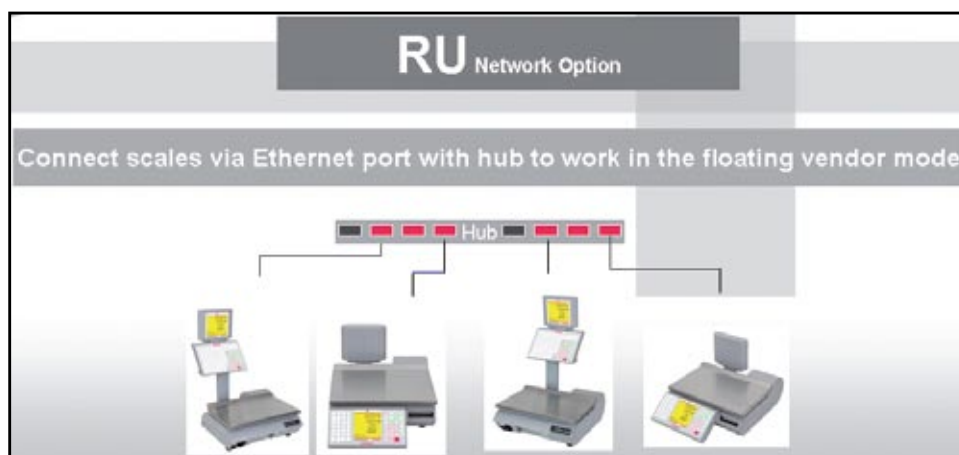
Streamline Your Customer Service

The RU's networking capability enables up to 10 scales to be linked together and the floating vendor function permits 30 floating vendors. This enables you to streamline your customer service, for example if you run a delicatessen, your vendor could serve a selection of cheeses using one RU, then move to the cold meat section and serve some ham on another and finally serve a portion of olives on a third RU. Each package can have its own label containing essential information such as use-by-date and finally all can be placed in a larger package with a label showing the total contents and cost. The customer can then make one payment on the final scale using the ECR cash management function in combination with a cash drawer.



Customise Your Label Design

Not only can you print all essential product information on the label, you can also customize it with vendor name, greeting, your logo or any promotional messages you wish to communicate. What's more the RU contains two independent printer motors for fast printing of up to 110mm/sec.



Drawing of the network

and Label Printing Retail Scale

RU – Features and Functions

Characteristics	Details
Data Entry	Direct manual price entry or simple PLU recall
Data Management	All data can be managed via the dedicated service software, including label layouts, backup, PLU definition etc
Preset Keys	Up to 30 function keys (28 on lower keyboard model), 4000 PLU memory, up to 200 product groups, customizable PLU card
Multiple Reports	Print customisable daily reports, electronic sales journal, reports by vendor, department, category, article, price changes (incl. date & time) and for specifically defined time periods.
Easy Operation	<ul style="list-style-type: none"> • Multi-payment transactions: Allow up to 30 vendors to work only on one scale • Automatic or manual tares • 100g price setup for friendly pricing of high-cost items • Easy discounting in % by a simple click of a key • Large sales function to enter bigger values than the max. scale capacity
Display	High contrast backlit user and customer LCD displays, additional alphanumeric line with local language
Networking and Communication	Ethernet connection as standard, RS232 and an RJ11 interface for connection of external devices such as a cash drawer
Ticket and Label Printing	Ticket printing on standard or adhesive paper plus labelling with customisable layout

Other Features

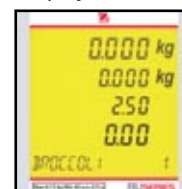


Two model options

- Upper and lower keyboard models available to suit your counter design

Fast and clear display

- Fast and ultra sharp LCD for use in every environment
- Includes 16-alphanumeric character display
- Adjustable backlight for customer and user display
- Multiple display indicators: tare, battery status, PLU, fix price, 100g facility, network status, large sales



Sensitive Keypad

- Highly sensitive membrane keypad for superior operator comfort
- Washable overlay for exceptional device hygiene
- 28/30 function keys plus freely programmable fixed keys

Rugged design

- Superior protection and hygiene thanks to:
- Heavy-duty aluminium baseplate
 - Stainless steel pan with rounded edges
 - High-grade polymer surfaces and sealed components

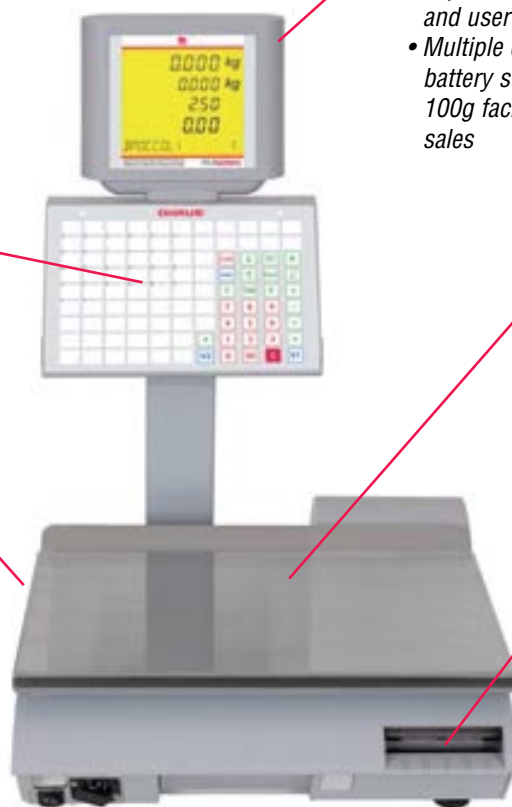
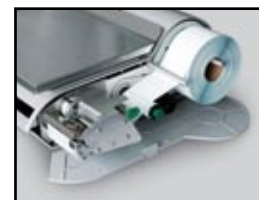
Simple communication

- Easily integrate external devices and connect to PC via:
- Ethernet (RJ45)
 - RJ11
 - RS232 interface



Fast printing and print roll changing

- Clear and fast printing of 110mm/sec
- Multiple report printing to help improve efficiency of data management
- Multiple receipt and label design options including logo
- Easy changing of paper/label rolls



OHAUS RU Series *Advanced Retail Scale*

General Specifications

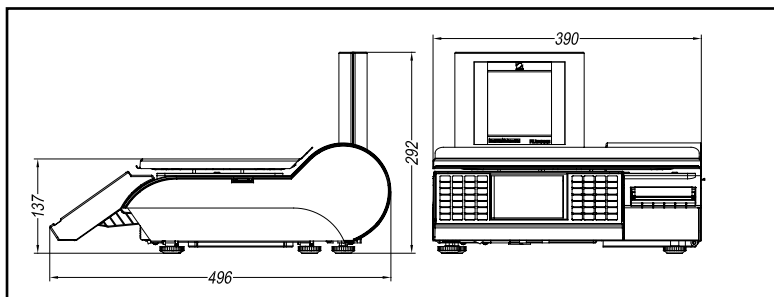
Application Modes	Weighing and price computing, ticket and label printing*, prepackaging*, cash register function*, training function (*available with relevant license) Data Entry, Ticket Setting, Data Deletion, Operational Setting, Service Mode, Report Printing, Communication, Password Management
Features	Direct price entry, user friendly PLU editing and price changes, PLU library, automatic and manual tare settings, discount promotions by hour and date, 30 active vendors, ticket printing, reporting, networking with floating vendor, Ethernet connectivity, PC software

Specifications

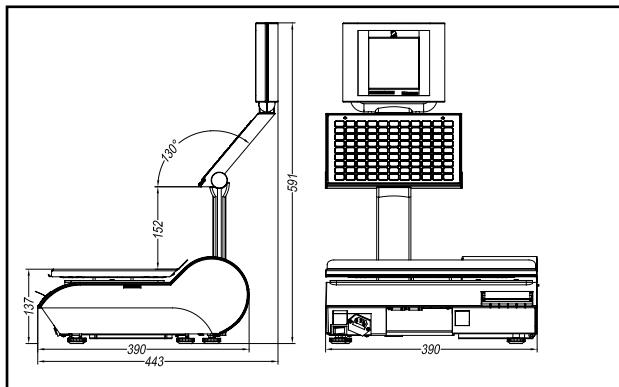
Model	RU-U2-A06D	RU-U2-A15D	RU-U2-A12	RU-U2-A30S	RU-C2-A06D	RU-C2-A15D	RU-C2-A12S	RU-C2-A30S
Capacity x Readability	3/6kg x 1/2g	6/15kg x 2/5g	12kg x 2g	30kg x 5g	3/6kg x 1/2g	6/15kg x 2/5g	12kg x 2g	30kg x 5g
Construction	Heavy-duty aluminium baseplate, stainless steel pan with rounded edges, high-grade polymer surfaces and sealed components							
Display	High-resolution backlit LCD 5-digit weight display 5-digit tare display 7-digit unit price 7-digit total price 16-alphanumeric-character display							
Display Indicators	Tare, PLU, Fix Price, 100g Facility, Network Status, Large Sale							
Keyboard	99 keys, 30 function keys, 69 freely programmable fixed keys				58 keys, 28 function keys, 28 freely programmable fixed keys			
Net Weight	9.9 kg				9.3 kg			
Operating Temperature	-10°C to +40°C							
Pan Size (L x W)	390 x 260mm							
Power	220V internal power supply							
Scale Dimensions (L x W)	443x390x591mm				496x390x292mm			

Specifications subject to change without notice

Outline Dimensions – RU C2



Outline Dimensions – RU U2



Accessories

Cash-Drawer TC-L	72193906
Cash-Drawer TC-XL	72193907
Laser Barcode Reader	29299049



Proudly Sold & Serviced By:

Able Scale Co Pty Ltd

Ph: 1300 731 360

21 Green St Thomastown VIC. 3074

find us on the web: www.ablescale.com.au

www.ohaus.com

* ISO 9001:2008
Registered Quality Management System

80774529 © Copyright Ohaus Corporation

